

# 1P Arktite® Heavy Duty Circuit Breaking Receptacle Assemblies

NEMA 3R

200 A, 600 VAC/250 VDC, 50† – 400 hertz

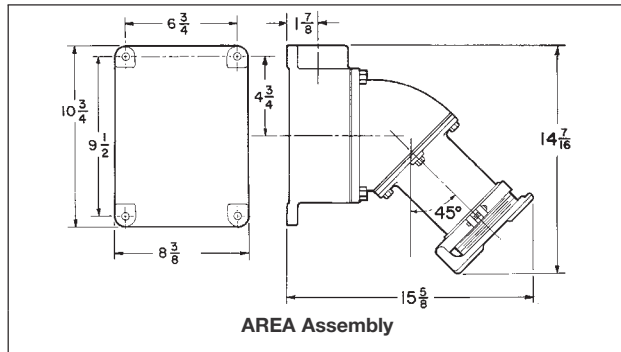
See pages 1312–1316 for general Application, Features, Grounding, Standard Materials, Standard Finishes, Options, Accessories, Compliances, Electrical Rating Ranges, and Wire Sizes.

## Features:

- Grounding contact wire terminators will accommodate ground wire of same size as phase wire
- Spring band contact design provides multiple points of electrical contact. Improves electrical reliability and significantly reduces effort required for insertion and withdrawal
- Crimp/solder and mechanical lug type contacts are available
- Large wire wells are available for "extra flexible" wire
- Larger wire well size connectors will interchange with connectors of other wire well size of same amperage and contact configuration
- Mechanical lug connectors will interchange with crimp/solder connectors of the same amperage and contact configuration
- Self-closing spring doors on receptacles and cord connectors provide environmental sealing
- Threaded nuts provide positive plug retention
- Two piece plug and cord connector design provide easy installation

1. For listing of additional back boxes, see page 1333.
2. S22 suffix for reverse interiors is available from factory only. Field conversion cannot be done.
3. Replacement interiors for standard units vs. S22 units vary in length. Specify the unit type when ordering parts.

## Dimensions In Inches:



## Plug Closure Caps:

### Applications:

- CPK caps for Arktite plugs are used:
- Where portable equipment is on a standby basis and plugs are not in use
  - To effectively protect insulation and contacts from excessive moisture, dirt, dust and corrosion
  - With 30, 60, 100, 150 and 200 ampere plugs with fastening ring and standard 200 ampere plugs for the clamp door housing



### Ordering Information:

Config.	Cat. #
4P	CPK104

### Standard Materials:

- Copper-free aluminum

### Standard Finishes:

- Natural

### Wire Mesh Grips:

#### Applications:

- Wire mesh grips are used:
- To provide secure cable termination
  - To extend cable life
  - With 20, 200 and 400 ampere plugs



### Features:

- Eliminate sharp radius of cable bend at the point where cable enters plug, thereby reducing cable failure
- Absorb longitudinal stresses placed on the point of termination caused by pulling the cable
- Gripping action increases in direct proportion to amount of tension applied to cable

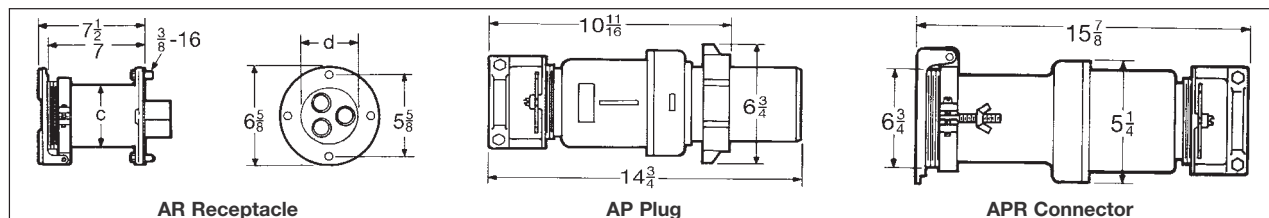
### Standard Material and Finishes:

- Stainless steel wire braid – Natural

### Ordering Information:

Plug Cable Range	Grip Range	Nominal Grip Length-Inches	Grip Cat. #
1.375 to 1.875	1.375 to 1.625	8	K163
	1.625 to 1.875	11	K188
1.875 to 2.500	1.875 to 2.000	10	K200
	2.000 to 2.250	11 1/4	K225

1P



No. Poles	c	d
3	4 1/16	3 1/4
4	4 1/16	3 5/8

†For use on system less than 60 hertz the receptacles, plugs and connectors are for disconnect use only.

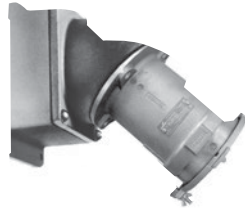
# Arktite® Heavy Duty Circuit Breaking Receptacle Assemblies

NEMA 3R

1P

200 A, 600 VAC/250 VDC, 50† – 400 hertz

## Ordering Information - Mechanical Lug Termination:



Receptacle Assembly

Receptacle Assembly with AJ Back Boxes and Angle Adapters



Receptacle w/ Mechanical Lug

Receptacle Housings only



Mating Plug



Mating Connector

Description	Hub Size (In.)	Cat. #	Cat. #	Cable Dia.	Plug Cat. #	Connector Cat. #
<b>Style 1 – Wire Well Takes 0.687" Maximum Conductor Size</b>						
3-wire, 3-pole	1½	AREAL20315	ARL2031	0.875 to 1.375 1.375 to 1.875 1.875 to 2.500	APL20355 APL20357 APL20358	APRL20315 APRL20317 APRL20318
	2	AREAL20316				
	2½	AREAL20317				
4-wire, 4-pole	2	AREAL20416	ARL2041	0.875 to 1.375 1.375 to 1.875 1.875 to 2.500 2.500 to 3.000	APL20455 APL20457 APL20458 APL20451	APRL20415 APRL20417 APRL20418 APRL20413
	2½	AREAL20417				
<b>Style 2 – Wire Well Takes 0.687" Maximum Conductor Size</b>						
2-wire, 3-pole	1½	AREAL20325	ARL2032	0.875 to 1.375 1.375 to 1.875 1.875 to 2.500	APL20365 APL20367 APL20368	APRL20325 APRL20327 APRL20328
	2	AREAL20326				
	2½	AREAL20327				
3-wire, 4-pole	1½	AREAL20425	ARL2042	0.875 to 1.375 1.375 to 1.875 1.875 to 2.500	APL20465 APL20467 APL20468	APRL20425 APRL20427 APRL20428
	2	AREAL20426				
	2½	AREAL20427				

## Ordering Information - Crimp/Solder Termination:

Receptacle Assembly with AJ Back Boxes and Angle Adapters

Receptacle Housings only

Description	Hub Size (In.)	Cat. #	Cat. #	Cable Dia.	Plug Cat. #	Connector Cat. #
<b>Style 1 – Wire Well Takes 0.56" Maximum Conductor Size</b>						
3-wire, 3-pole	1½	AREA20315	AR2031	0.875 to 1.375 1.375 to 1.875 1.875 to 2.500	AP20355 AP20357 AP20358	APR20315 APR20317 APR20318
	2	AREA20316				
	2½	AREA20317				
4-wire, 4-pole	2	AREA20416	AR2041	0.875 to 1.375 1.375 to 1.875 1.875 to 2.500	AP20455 AP20457 AP20458	APR20415 APR20417 APR20418
	2½	AREA20417				
<b>Style 1 – Wire Well Takes 0.75" Maximum Conductor Size</b>						
3-wire, 3-pole	1½	AREA203125	AR20312	1.375 to 1.875 1.875 to 2.500	AP203511 AP203512	APR203111 APR203112
	2	AREA203126				
	2½	AREA203127				
4-wire, 4-pole	2	AREA204126	AR20412	1.375 to 1.875 1.875 to 2.500 2.500 to 3.000	AP204511 AP204512 AP204513	APR204111 APR204112 APR204113
	2½	AREA204127				
<b>Style 2 – Wire Well Takes 0.56" Maximum Conductor Size</b>						
2-wire, 3-pole	1½	AREA20325	AR2032	0.875 to 1.375 1.375 to 1.875 1.875 to 2.500	AP20365 AP20367 AP20368	APR20325 APR20327 APR20328
	2	AREA20326				
	2½	AREA20327				
3-wire, 4-pole	1½	AREA20425	AR2042	0.875 to 1.375 1.375 to 1.875 1.875 to 2.500	AP20465 AP20467 AP20468	APR20425 APR20427 APR20428
	2	AREA20426				
	2½	AREA20427				
<b>Style 2 – Wire Well Takes 0.75" Maximum Conductor Size</b>						
2-wire, 3-pole	1½	AREA203225	AR20322	0.875 to 1.375 1.375 to 1.875 1.875 to 2.500	AP203610 AP203611 AP203612	APR203210 APR203211 APR203212
	2	AREA203226				
	2½	AREA203227				
3-wire, 4-pole	1½	AREA204225	AR20422	1.375 to 1.875 1.875 to 2.500	AP204611 AP204612	APR204211 APR204212
	2	AREA204226				
	2½	AREA204227				

†For use on system less than 60 hertz the receptacles, plugs and connectors are for disconnect use only.

1P